

1ST FLOOR FRAMING PLAN
1/4" = 1'-0"

STAMP:

REVISIONS	BY
DATE	

DATE: 9-6-2012
SCALE: 1/4" = 1'0"
DSN TEAM: DF/BB

COMPASS SCHOOL BARN

NANCY LESLIE

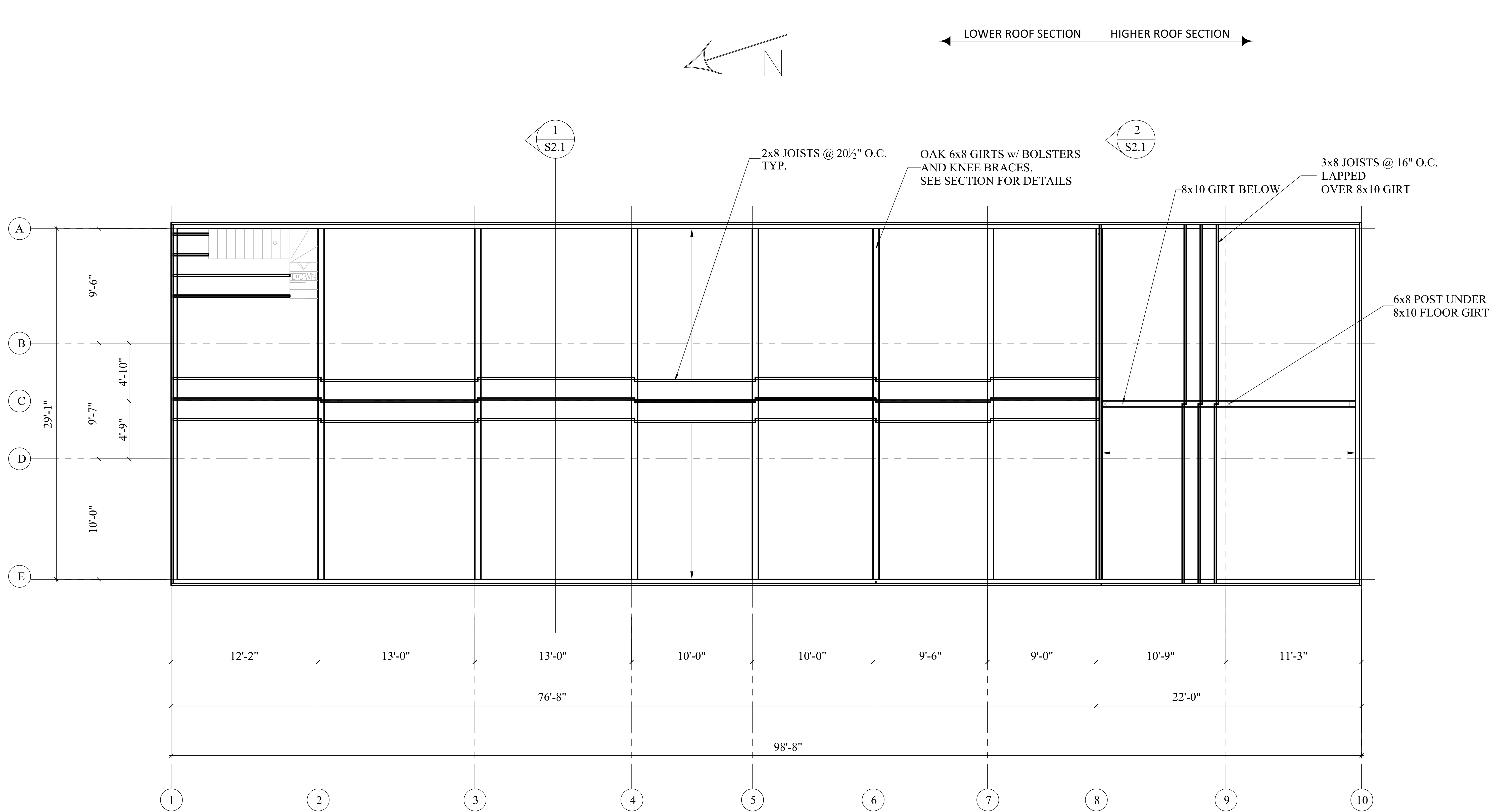
FIRE TOWER ENGINEERED TIMBER, INC. 27 SIMS AVE #2R, PROVIDENCE R.I. 02909
Phone: 401-654-4600 Fax: 401-654-4602 joe@ftet.com

FOR: REVIEW

SHEET:

S1.1

DATE:



2x8 JOISTS @ 20½" O.C. TYP.

OAK 6x8 GIRTS w/ BOLSTERS AND KNEE BRACES. SEE SECTION FOR DETAILS

8x10 GIRT BELOW

3x8 JOISTS @ 16" O.C. LAPPED OVER 8x10 GIRT

6x8 POST UNDER 8x10 FLOOR GIRT

2ND FLOOR FRAMING PLAN
1/4" = 1'-0"

STAMP:

REVISIONS	DATE	BY

DATE: 9-6-2012

SCALE: 1/4" = 1'0"

DSN TEAM: DF/BB

COMPASS SCHOOL BARN

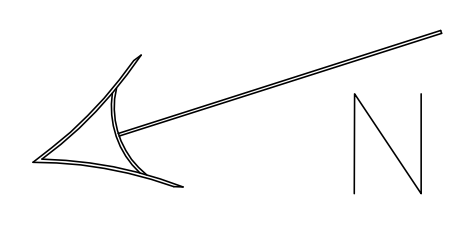
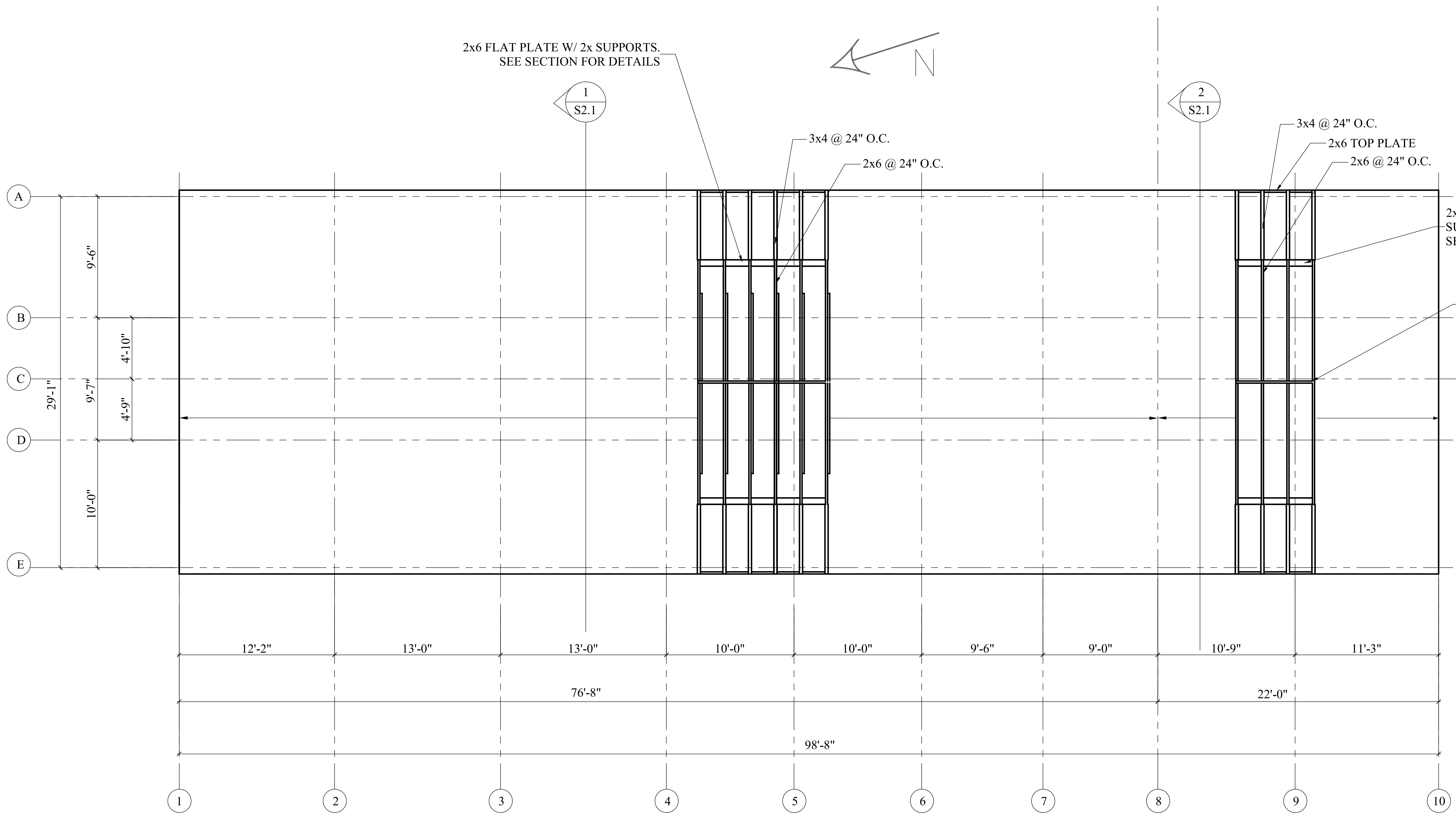
NANCY LESLIE

FIRE TOWER ENGINEERED TIMBER, INC. 27 SIMS AVE #2R, PROVIDENCE R.I. 02909
Phone: 401-654-4600 Fax: 401-654-4602 joe@ftet.com

FOR: REVIEW

SHEET: S1.2

DATE:



ROOF FRAMING PLAN
1/4" = 1'-0"

STAMP:
DATE: _____ BY: _____

REVISIONS	DATE	BY

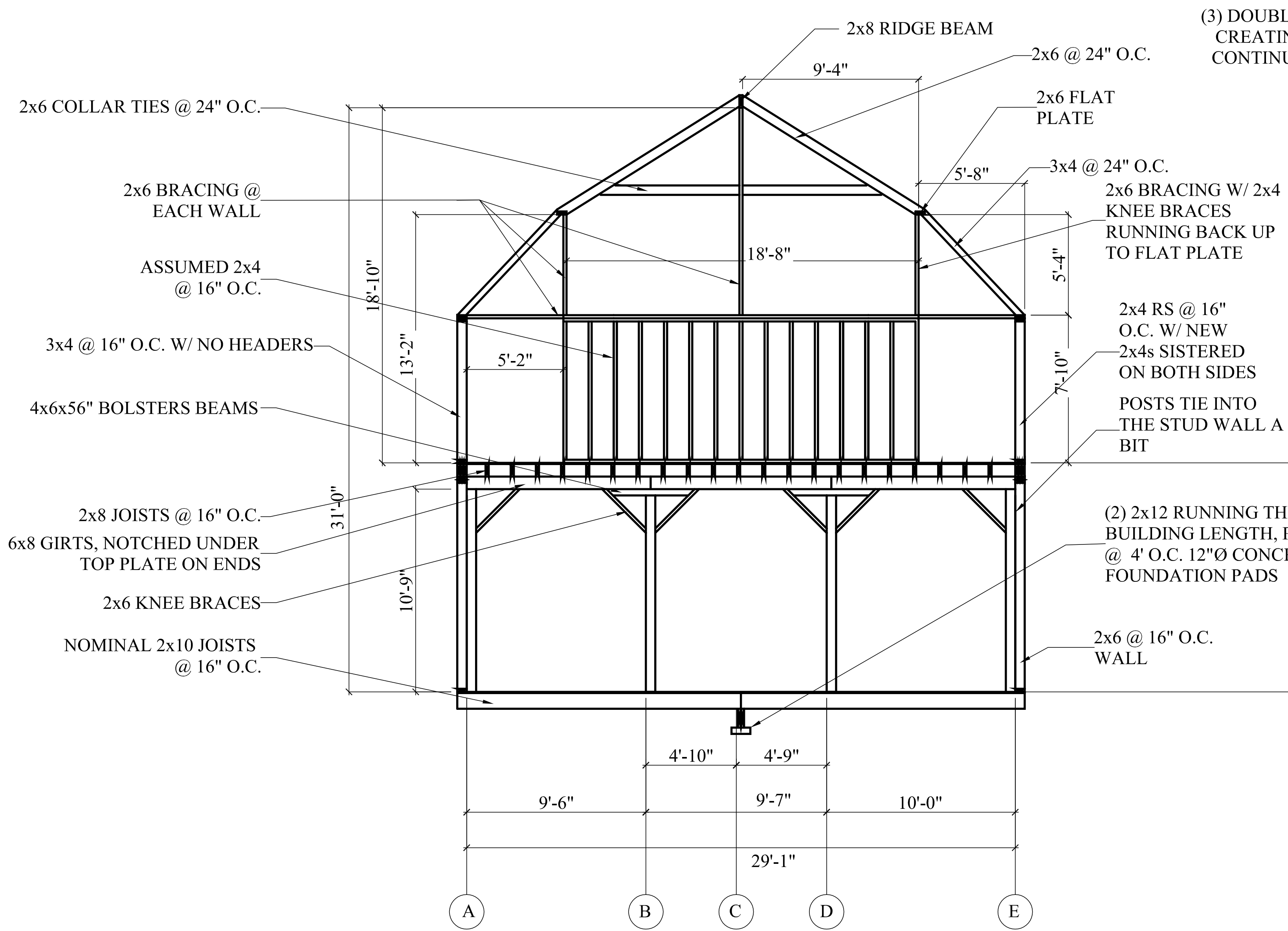
DATE: 9-6-2012
SCALE: 1/4" = 1'-0"
DSN TEAM: DF/BB

COMPASS SCHOOL BARN

NANCY LESLIE

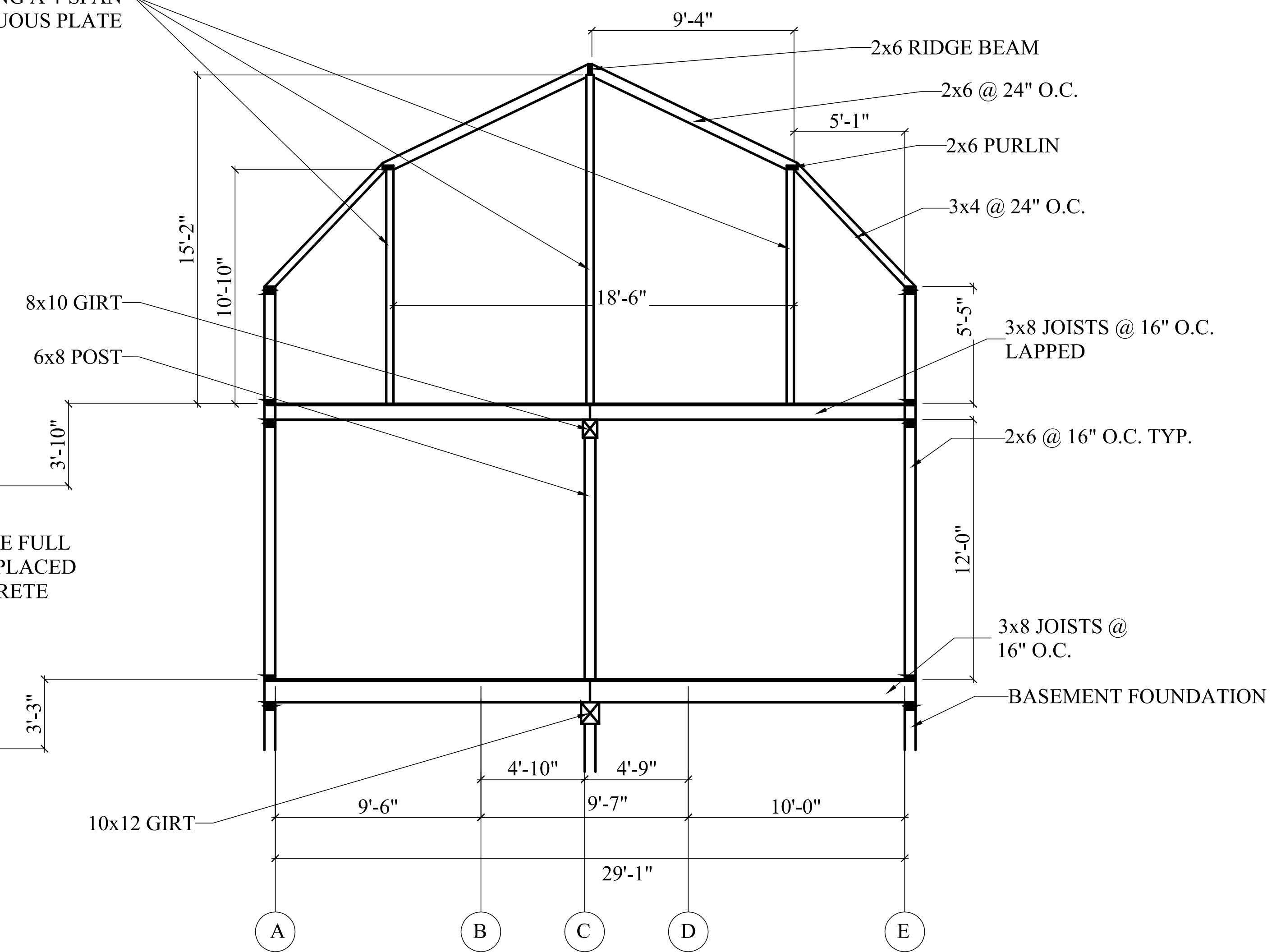
FIRE TOWER ENGINEERED TIMBER, INC. 27 SIMS AVE #2R, PROVIDENCE R.I. 02909
Phone: 401-654-4600 Fax: 401-654-4602 joe@ftt.com

FOR: REVIEW
SHEET: S1.3



1
S2.1 BARN CURRENT ROOF DESIGN: LOWER
1/4" = 1'-0"

(3) DOUBLE 2x4 POSTS
CREATING A 4-SPAN
CONTINUOUS PLATE



2
S2.1 BARN CURRENT ROOF DESIGN: HIGHER
1/4" = 1'-0"

REVISIONS		DATE	BY

DATE: 9-6-2012
SCALE: 1/4" = 1'-0"
DSN TEAM: DF/BB

COMPASS SCHOOL BARN

NANCY LESLIE

FIRE TOWER ENGINEERED TIMBER, INC. 27 SIMS AVE #2R, PROVIDENCE R.I. 02909
Phone: 401-654-4600 Fax: 401-654-4602 joe@ftet.com

FOR:
REVIEW

SHEET:

S2.1

STAMP:

DATE: